

HOME CINEMA 5.1CH SPEAKER PACKAGE/ HOME CINEMA 6.1CH SPEAKER PACKAGE NS-P330/NS-P336

SERVICE MANUAL

NS-P330/NS-P336 consists of the NX-S200, NX-C200 and the SW-P330.

NS-P330/NS-P336 は NX-S200 ・ NX-C200 ・ SW-P330 で構成されています。

IMPORTANT NOTICE

This manual has been provided for the use of authorized YAMAHA Retailers and their service personnel. It has been assumed that basic service procedures inherent to the industry, and more specifically YAMAHA Products, are already known and understood by the users, and have therefore not been restated.

WARNING: Failure to follow appropriate service and safety procedures when servicing this product may result in personal injury, destruction of expensive components, and failure of the product to perform as specified. For these reasons, we advise all YAMAHA product owners that any service required should be performed by an authorized YAMAHA Retailer or the appointed service representative.

IMPORTANT: The presentation or sale of this manual to any individual or firm does not constitute authorization, certification or recognition of any applicable technical capabilities, or establish a principle-agent relationship of any form.

The data provided is believed to be accurate and applicable to the unit(s) indicated on the cover. The research, engineering, and service departments of YAMAHA are continually striving to improve YAMAHA products. Modifications are, therefore, inevitable and specifications are subject to change without notice or obligation to retrofit. Should any discrepancy appear to exist, please contact the distributor's Service Division.

WARNING: Static discharges can destroy expensive components. Discharge any static electricity your body may have accumulated by grounding yourself to the ground buss in the unit (heavy gauge black wires connect to this buss).

IMPORTANT: Turn the unit OFF during disassembly and part replacement. Recheck all work before you apply power to the unit.

CONTENTS

TO SERVICE PERSONNEL	2	SW-P330 DISASSEMBLY PROCEDURES /	
FRONT PANELS	3	SW-P330分解手順	8
REAR PANELS	3-4	SW-P330 PRINTED CIRCUIT BOARD	9
SPECIFICATIONS / 参考仕様	5-6	SW-P330 SCHEMATIC DIAGRAM	10
INTERNAL VIEW	7	PARTS LIST	11-15
SW-P330 BLOCK DIAGRAM	7		

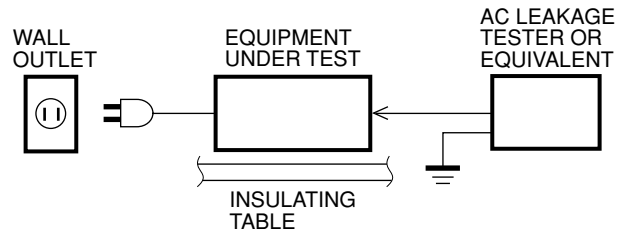


このサービスマニュアルは、エコマーク認定の再生紙を使用しています。
This Service Manual uses recycled paper.



■ TO SERVICE PERSONNEL

1. Critical Components Information
Components having special characteristics are marked Δ and must be replaced with parts having specifications equal to those originally installed.
 2. Leakage Current Measurement (For 120V Models Only)
When service has been completed, it is imperative to verify that all exposed conductive surfaces are properly insulated from supply circuits.
- Meter impedance should be equivalent to 1500 ohms shunted by 0.15 μ F.



- Leakage current must not exceed 0.5mA.
- Be sure to test for leakage with the AC plug in both polarities.



“CAUTION”

“SW-P330 F1 : FOR CONTINUED PROTECTION AGAINST RISK OF FIRE, REPLACE ONLY WITH SAME TYPE 2.0A, 125V FUSE.”

CAUTION

SW-P330 F1 : REPLACE WITH SAME TYPE 2.0A, 125V FUSE.

ATTENTION

SW-P330 F1 : UTILISER UN FUSIBLE DE RECHANGE DE MEME TYPE DE 2.0A, 125V.

WARNING: CHEMICAL CONTENT NOTICE!

The solder used in the production of this product contains LEAD. In addition, other electrical/electronic and/or plastic (where applicable) components may also contain traces of chemicals found by the California Health and Welfare Agency (and possibly other entities) to cause cancer and/or birth defects or other reproductive harm.

DO NOT PLACE SOLDER, ELECTRICAL/ELECTRONIC OR PLASTIC COMPONENTS IN YOUR MOUTH FOR ANY REASON WHATSOEVER!

Avoid prolonged, unprotected contact between solder and your skin! When soldering, do not inhale solder fumes or expose eyes to solder/flux vapor!

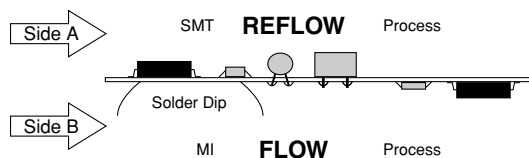
If you come in contact with solder or components located inside the enclosure of this product, wash your hands before handling food.

About lead-free solder / 無鉛ハンダについて

The P.C.B.s installed in this unit are soldered using the following solder.

本機に搭載されている基板のハンダ付けに使用されているハンダは下記の通りです。

	SIDE A / A 面	SIDE B / B 面
MAIN P.C.B	—	lead free solder / 無鉛ハンダ



Among some types of lead free solder currently available, it is recommended to use one of the following types for the repair work.

- Sn + Ag + Cu (tin + silver + copper)
- Sn + Cu (tin + copper)
- Sn + Zn + Bi (tin + zinc + bismuth)

無鉛ハンダにはいくつかの種類がありますが、修理時には下記のような無鉛ハンダの使用を推奨します。

- Sn+Ag+Cu (錫+銀+銅)
- Sn+Cu (錫+銅)
- Sn+Zn+Bi (錫+亜鉛+ビスマス)

Caution:

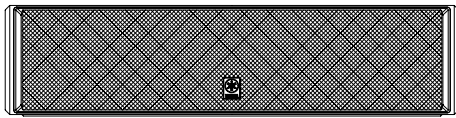
1. As the melting point temperature of the lead free solder is about 30°C to 40°C (50°F to 70°F) higher than that of the lead solder, be sure to use a soldering iron suitable to each solder.
2. If lead solder must be used, be sure to remove lead-free solder from each terminal section of the parts to be replaced and from the area around it completely before soldering, or make sure that the lead free solder and lead solder melt together fully.

注意:

1. 無鉛ハンダの融点温度は通常の鉛入りハンダに比べ30～40℃程度高くなっていますので、それぞれのハンダに合ったハンダごてをご使用ください。
2. 鉛入りハンダを使わざるを得ない場合は、あらかじめ交換する部品端子部やその周辺部の無鉛ハンダをすべて取り除くか、あるいは無鉛ハンダと鉛入りハンダが十分に溶けた状態となるようにハンダ付けしてください。

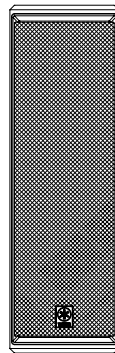
FRONT PANELS

▼ NX-C200



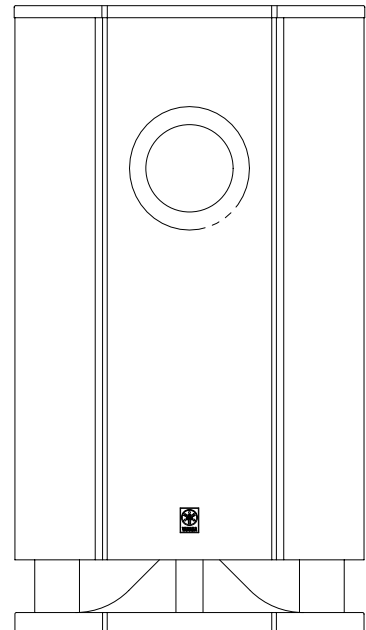
x1

▼ NX-S200



x4 for NS-P330
x5 for NS-P336

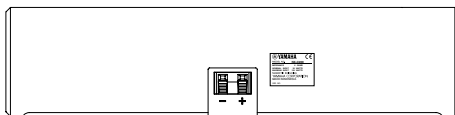
▼ SW-P330



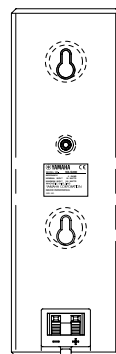
x1

REAR PANELS

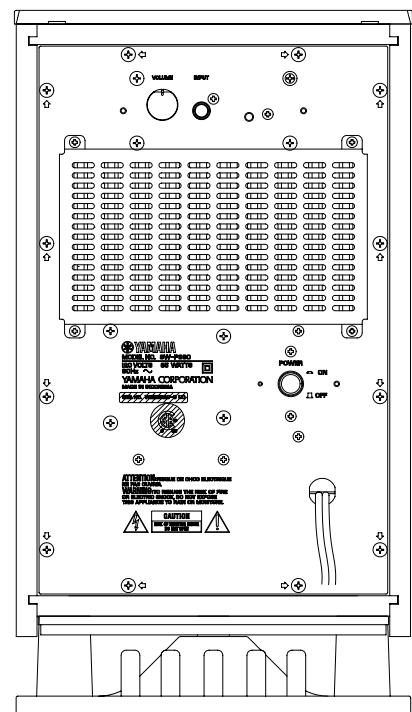
▼ NX-C200



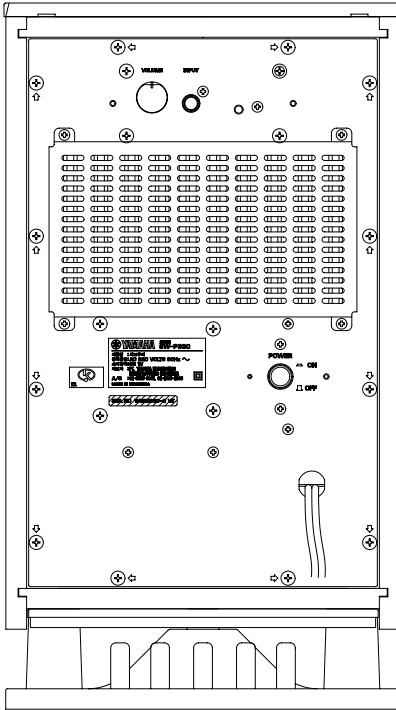
▼ NX-S200



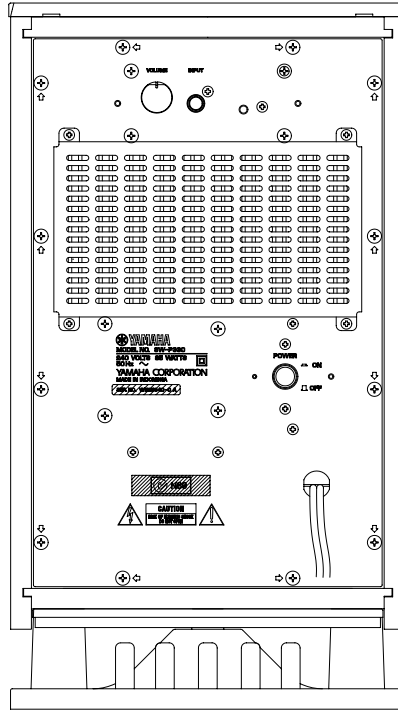
▼ SW-P330 (U, C models)



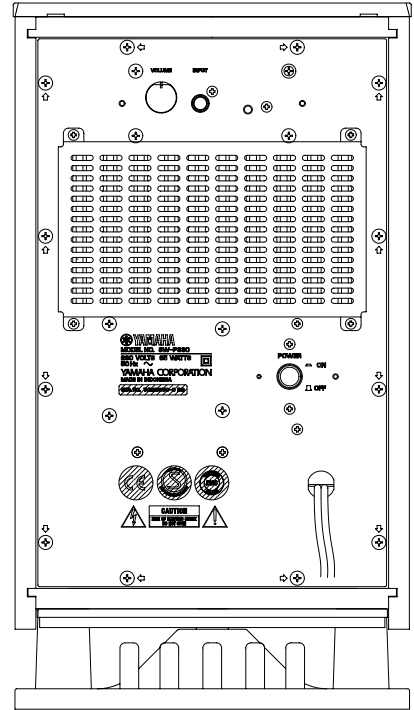
▼ SW-P330 (K model)



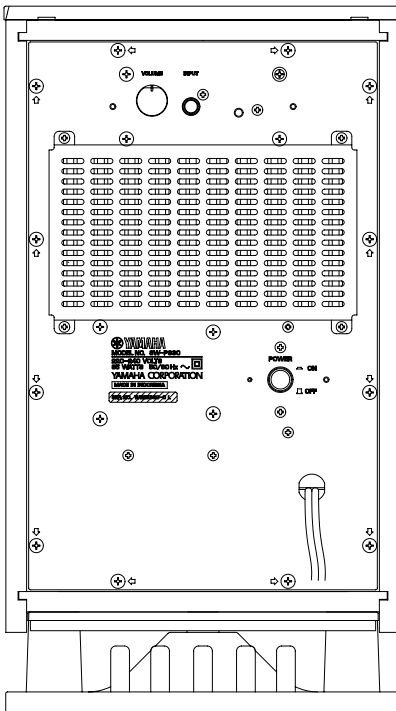
▼ SW-P330 (A model)



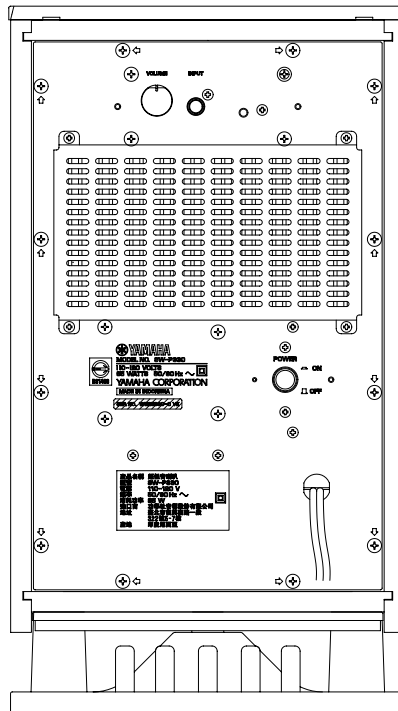
▼ SW-P330 (B, G model)



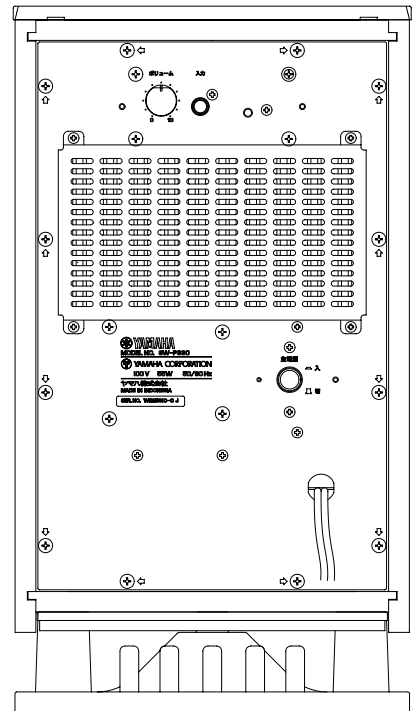
▼ SW-P330 (L model)



▼ SW-P330 (V model)



▼ SW-P330 (J model)



■ SPECIFICATIONS / 参考仕様

● NX-S200

Type / 型式 2-way Acoustic Suspension
Magnetic Shielding Type

Driver / スピーカーユニット

Tweeter 2.5 cm (1") Balanced Dome
Magnetic Shielding Type

Woofer 5 cm (2") Cone x 2
Magnetic Shielding Type

Frequency Response / 再生周波数帯域

..... 100 Hz to 40 kHz

Impedance / インピーダンス 6 ohms

Nominal Input / 許容入力 30 W

Maximum Input / 最大入力 100 W

Sensitivity / 出力音圧レベル 85 dB/2.83 V/m

Crossover Frequency / クロスオーバー周波数

..... 7 kHz

Input Terminal / 入力端子 Push Type

Dimensions (W x H x D) / 寸法 (幅×高さ×奥行き)

..... 72 mm x 230 mm x 81 mm
(2-13/16" x 9-1/16" x 3-3/16")

Weight / 質量 1.0 kg (2 lbs. 3 oz.)

Finish / 仕上げ

Black color U, C, A, B, G models

Silver color U, C, K, A, B, G, L, V, J models

Appropriate Speaker Stand / 適応スピーカースタンド ... SPS-200

Appropriate Speaker Bracket / 適応ブラケット SPM-8S

Speaker Bracket Accessory Screw Size M4 x 12

* Specifications subject to change without notice.

* 参考仕様は予告なく変更されることがあります。

● NX-C200

Type / 型式 2-way Acoustic Suspension
Magnetic Shielding Type

Driver / スピーカーユニット

Tweeter 2.5 cm (1") Balanced Dome
Magnetic Shielding Type

Woofer 5 cm (2") Cone x 2
Magnetic Shielding Type

Frequency Response / 再生周波数帯域

..... 100 Hz to 40 kHz

Impedance / インピーダンス 6 ohms

Nominal Input / 許容入力 30 W

Maximum Input / 最大入力 100 W

Sensitivity / 出力音圧レベル 85 dB/2.83 V/m

Crossover Frequency / クロスオーバー周波数

..... 7 kHz

Input Terminal / 入力端子 Push Type

Dimensions (W x H x D) / 寸法 (幅×高さ×奥行き)

..... 300 mm x 72 mm x 81 mm
(11-13/16" x 2-13/16" x 3-3/16")

Weight / 質量 1.1 kg (2 lbs. 6 oz.)

Finish / 仕上げ

Black color U, C, A, B, G models

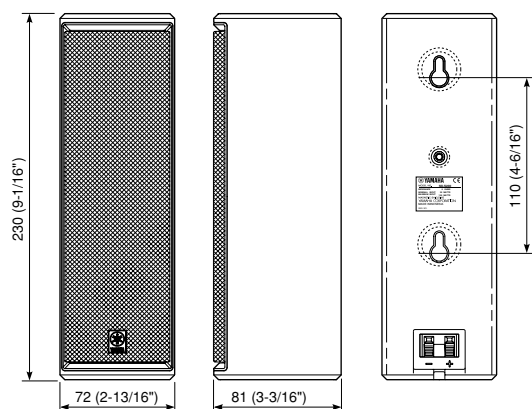
Silver color U, C, K, A, B, G, L, V, J models

* Specifications subject to change without notice.

* 参考仕様は予告なく変更されることがあります。

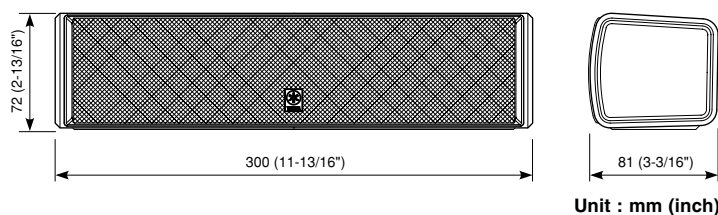
● DIMENSIONS / 寸法図

▼ NX-S200



Unit : mm (inch)

▼ NX-C200



Unit : mm (inch)

● SW-P330

Type / 型式	Advanced Yamaha Active Servo Technology
Output Power / 出力	100 W (100 Hz, 5 Ω, 10 % THD)
Dynamic Power / ダイナミックパワー	140 W, 5 ohms
Input Impedance / 入力インピーダンス	INPUT (PJ): 12 kohms
Frequency Response / 再生周波数帯域	30 Hz to 200 Hz
Driver / スピーカーユニット	20 cm (8") Cone Magnetic Shielding Type

Input Section / 入力部

INPUT RCA Pin Jack

Power Supply / 電源

U, C models	AC 120 V, 60 Hz
K model	AC 220 V, 60 Hz
A model	AC 240 V, 50 Hz
B, G models	AC 230 V, 50 Hz
L model	AC 220-240 V, 50/60 Hz
V model	AC 110-120 V, 50/60 Hz
J model	AC 100 V, 50/60 Hz

Power Consumption / 消費電力

U, C, K, A, B, G, L, V models	85 W
J model	55 W

Dimensions (W x H x D) / 寸法 (幅×高さ×奥行き)

..... 232 mm x 415 mm x 388 mm
(9-1/8" x 16-5/16" x 15-1/4")

Weight / 質量 9.6 kg (21 lbs. 2 oz.)

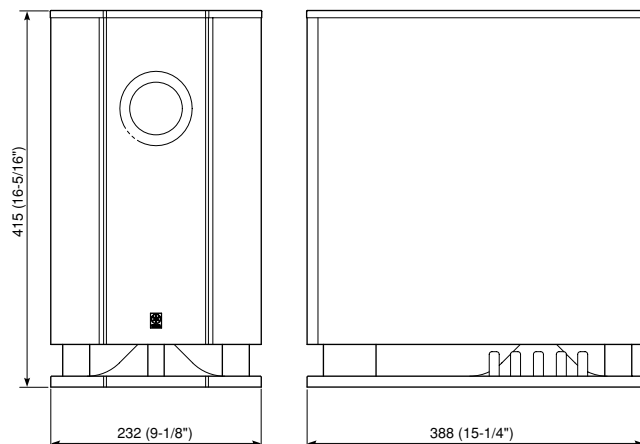
Finish / 仕上げ

Black color	U, C, A, B, G models
Silver color	U, C, K, A, B, G, L, V, J models

* Specifications subject to change without notice.
* 参考仕様は予告なく変更されることがあります。

● DIMENSIONS / 寸法図

▼ SW-P330



Unit : mm (inch)

● Accessories / 付属品

NS-P330	Subwoofer Cable (5m) x 1 Nonskid Pad x 4 (for Subwoofer) Speaker Cable (15 m) x 2 Speaker Cable (4 m) x 3 Nonskid Pad x 16 (for Satellite) Mounting Bracket x 4, Screw x 4 Fastener x 2
NS-P336	Subwoofer Cable (5m) x 1 Nonskid Pad x 4 (for Subwoofer) Speaker Cable (15 m) x 3 Speaker Cable (4 m) x 3 Nonskid Pad x 20 (for Satellite) Mounting Bracket x 5, Screw x 5 Fastener x 2

* Specifications subject to change without notice.
* 参考仕様は予告なく変更されることがあります。

- U USA model
- C Canadian model
- K Korean model
- A Australian model
- B British model
- G European model
- L Singapore model
- V TAIWAN model
- J Japanese model



Advanced YST

Advanced Yamaha Active Servo Technology is a unique system to let the speaker unit have a perfectly linear motion by the speaker and amplifier combination.

アドバンスドヤマハアクティブサーボテクノロジー
アドバンスドヤマハアクティブサーボテクノロジーは、スピーカーとアンプの組み合わせにより振動板を効率よくスムーズに動かし最大音圧時のリニアリティを大幅に改善したユニークなシステムです。



QD-Bass Technology

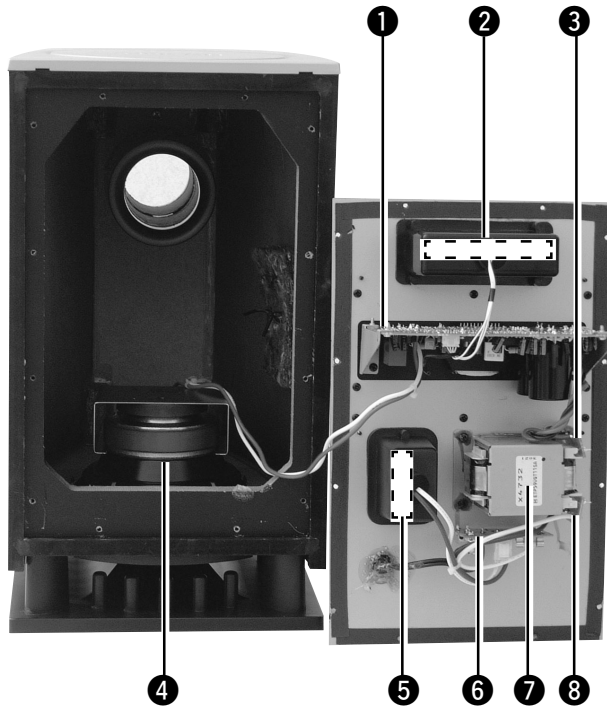
QD-Bass (Quatre Dispersion Bass) technology is a Yamaha unique technology to radiate the sound efficiently in four horizontal direction.

QD ベーステクノロジー

QD (キューディー) ベーステクノロジーは、低音エネルギーを4水平方向に効率よく放射するヤマハ独自のテクノロジーです。

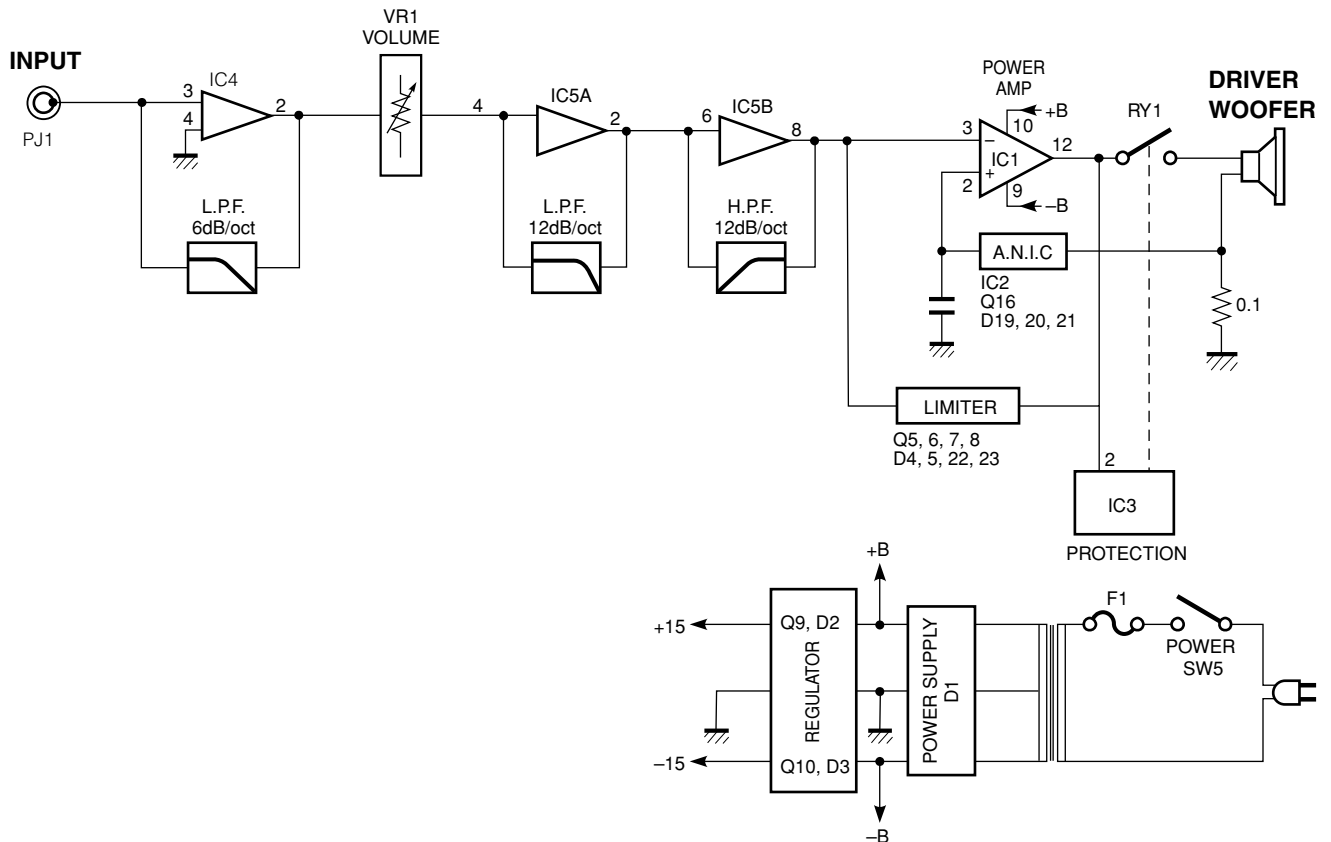
INTERNAL VIEW

▼ SW-P330



- ① MAIN (1) P.C.B.
- ② MAIN (3) P.C.B.
- ③ MAIN (6) P.C.B.
- ④ DRIVER
- ⑤ MAIN (5) P.C.B.
- ⑥ MAIN (2) P.C.B.
- ⑦ POWER TRANSFORMER
- ⑧ MAIN (7) P.C.B.

SW-P330 BLOCK DIAGRAM



■ SW-P330 DISASSEMBLY PROCEDURES/ SW-P330 分解手順

(Remove parts in disassembly order as numbered.)

(番号順に部品を取り外してください。)

1. Removal of Driver

- Remove 3 screws (①) and then remove the Base. (Fig. 1)
- Remove 4 screws (②) and then remove the Driver. (Fig. 1)
- Disconnect the connector connected to the terminal of the Driver.

1. スピーカーユニットの外し方

- ①のネジ3本を外し、ベースを取り外します。(Fig.1)
- ②のネジ4本を外し、スピーカーユニットを取り外します。(Fig.1)
- スピーカーユニットの端子に接続されているコネクタを外します。

2. Removal of Rear Panel

Remove 12 screws (③) in Fig. 2.

* **Arrow marks (⇒) are printed to identify the screws to be removed.**

* **When assembling the Rear Panel, check to ensure that the packing is not damaged so as to prevent air leakage from occurring.**

2. リアパネルの外し方

③のネジ12本を外し、リアパネルを取り出します。(Fig. 2)

* 取り外すネジの箇所には矢印(マーク)が印刷されています。

* 組み立ての際は、パッキングの損傷など無いことを確認し、エアリークが発生しないように組み立ててください。

● Bottom view

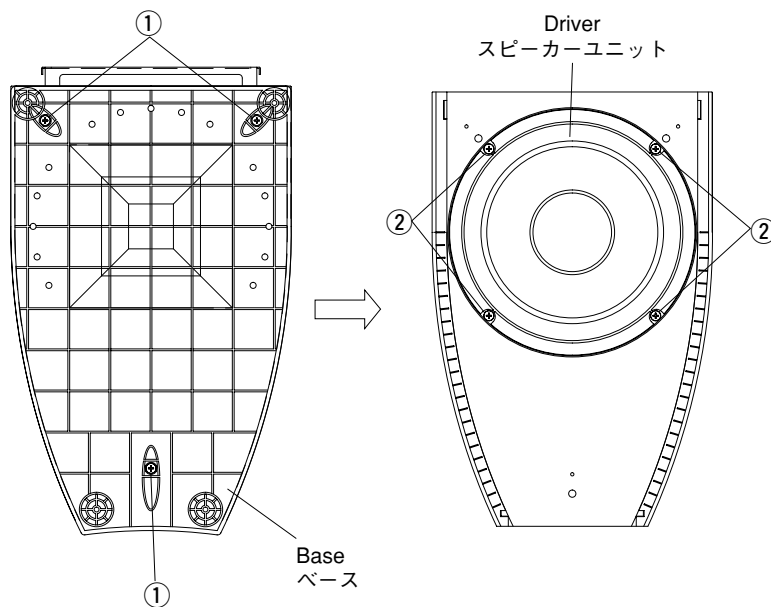


Fig. 1

● Rear view

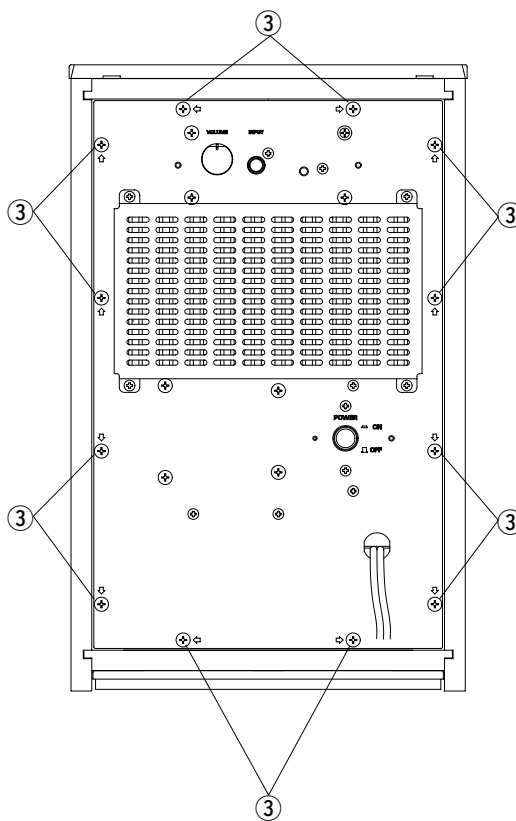


Fig. 2

SW-P330 PRINTED CIRCUIT BOARD (Foil side) Lead Free Solder Used

1

MAIN (1) P. C. B. (Side A)

2

MAIN (6) P. C. B. (Side A)

POWER TRANSFORMER

3

MAIN (3) P. C. B. (Side A)

VOLUME

INPUT

4

SPEAKER

5

MAIN (7) P. C. B. (Side A)

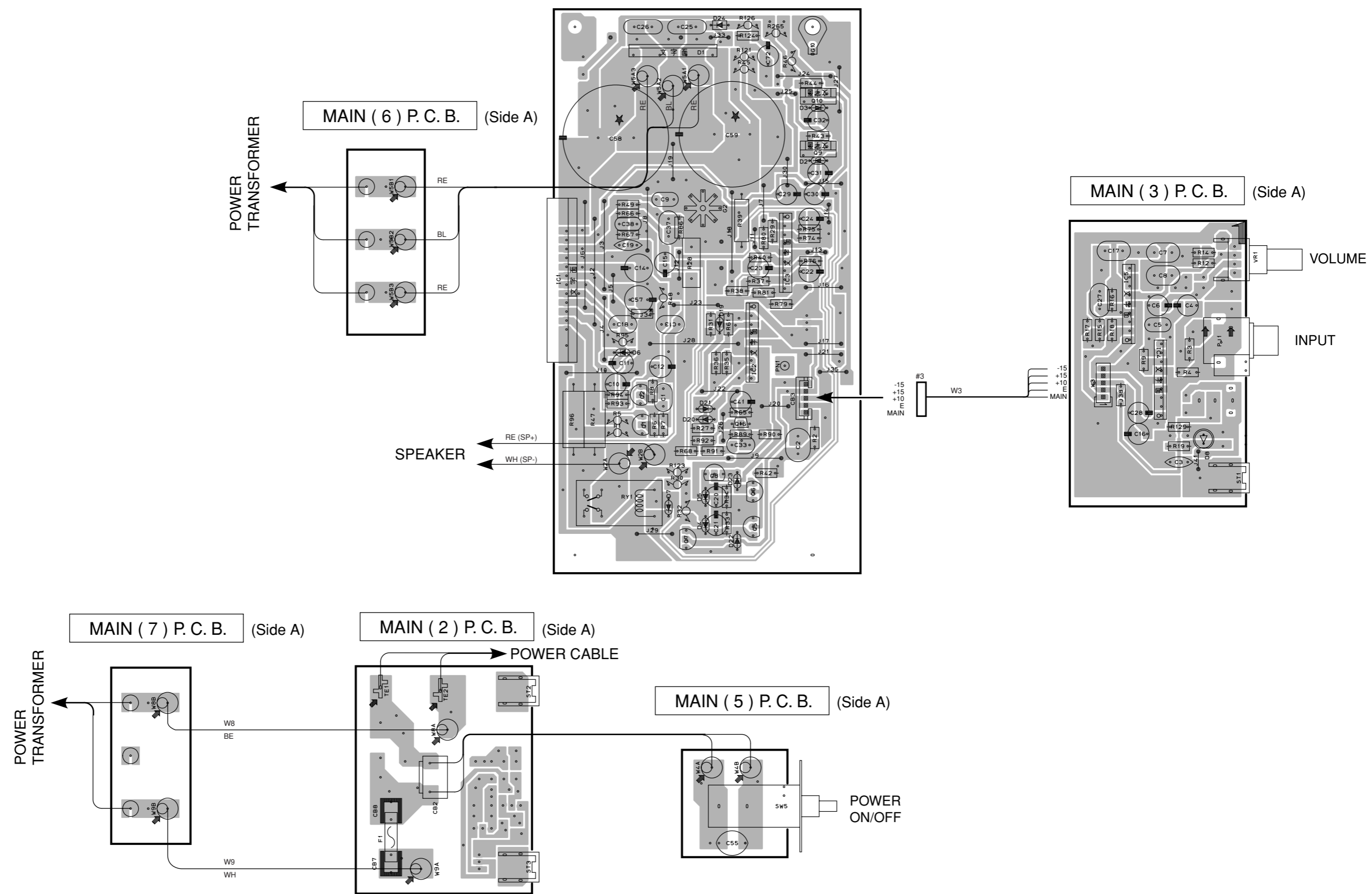
MAIN (2) P. C. B. (Side A)

POWER CABLE

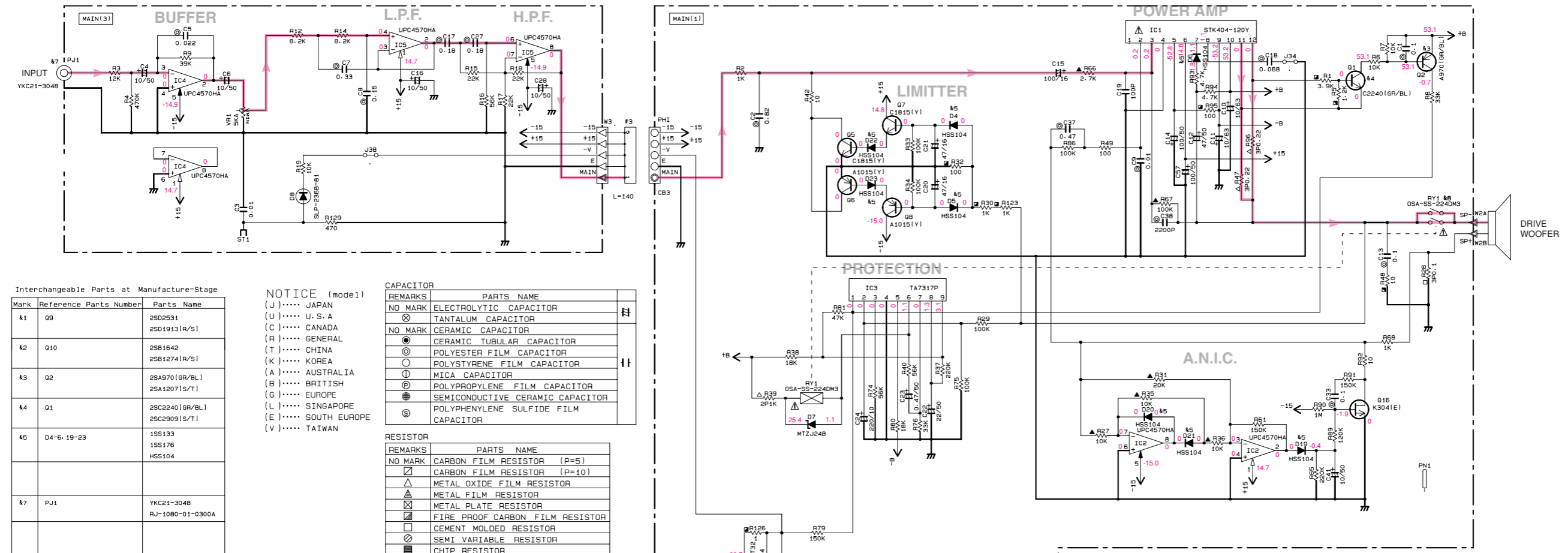
MAIN (5) P. C. B. (Side A)

POWER ON/OFF

6



SW-P330 SCHEMATIC DIAGRAM



Interchangeable Parts at Manufacture-Stage

Mark	Reference Parts Number	Parts Name
k1	09	2SD2531 2SD1913(R/S)
k2	Q10	2SB1642 2SB1274(R/S)
k3	Q2	2SA970(GR/BL) 2SA1207(S/T)
k4	Q1	2SC2240(GR/BL) 2SC2909(S/T)
k5	D4-6, 19-23	1SS133 1SS176 HSS104
k7	PJ1	YKC21-304B RJ-1080-01-0300A

NOTICE (model)

(J)..... JAPAN
 (U)..... U. S. A
 (C)..... CANADA
 (R)..... GENERAL
 (T)..... CHINA
 (K)..... KOREA
 (A)..... AUSTRALIA
 (B)..... BRITISH
 (G)..... EUROPE
 (L)..... SINGAPORE
 (E)..... SOUTH EUROPE
 (V)..... TAIWAN

CAPACITOR

REMARKS	PARTS NAME
NO MARK	ELECTROLYTIC CAPACITOR
⊗	TANTALUM CAPACITOR
NO MARK	CERAMIC CAPACITOR
⊙	CERAMIC TUBULAR CAPACITOR
⊖	POLYESTER FILM CAPACITOR
⊕	POLYSTYRENE FILM CAPACITOR
Ⓜ	MICA CAPACITOR
Ⓟ	POLYPROPYLENE FILM CAPACITOR
Ⓠ	SEMICONDUCTIVE CERAMIC CAPACITOR
Ⓡ	POLYPHENYLENE SULFIDE FILM CAPACITOR

RESISTOR

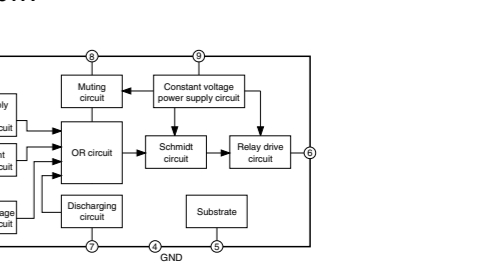
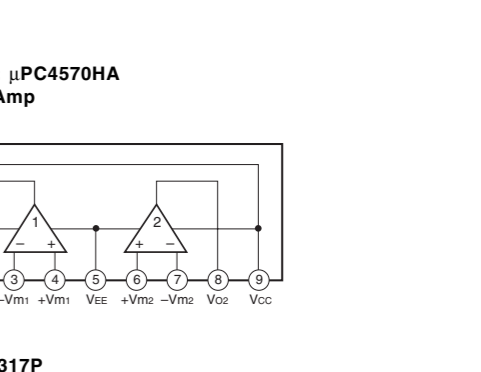
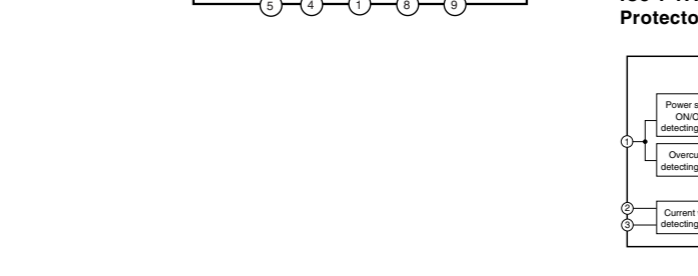
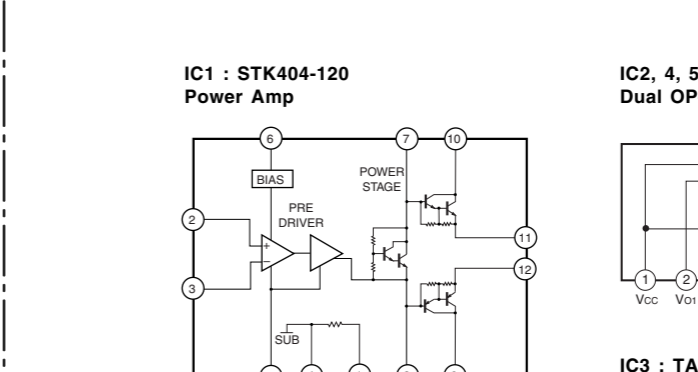
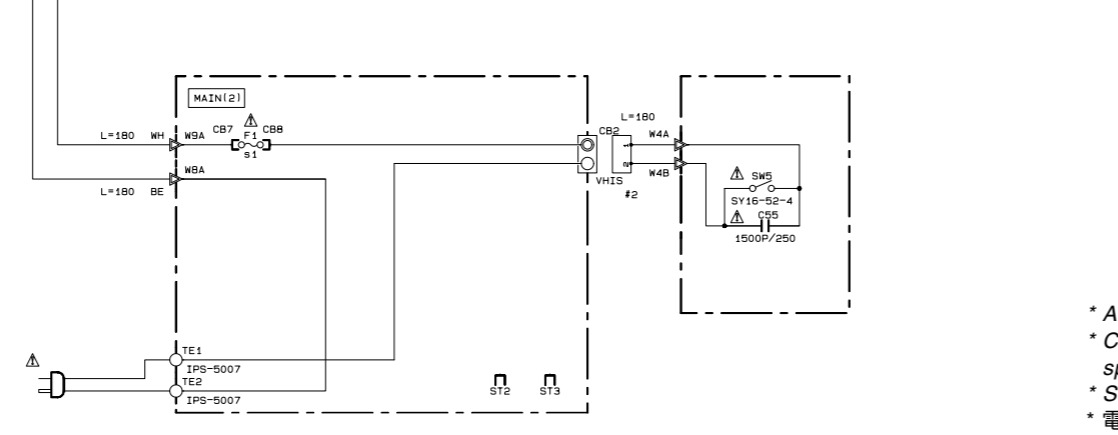
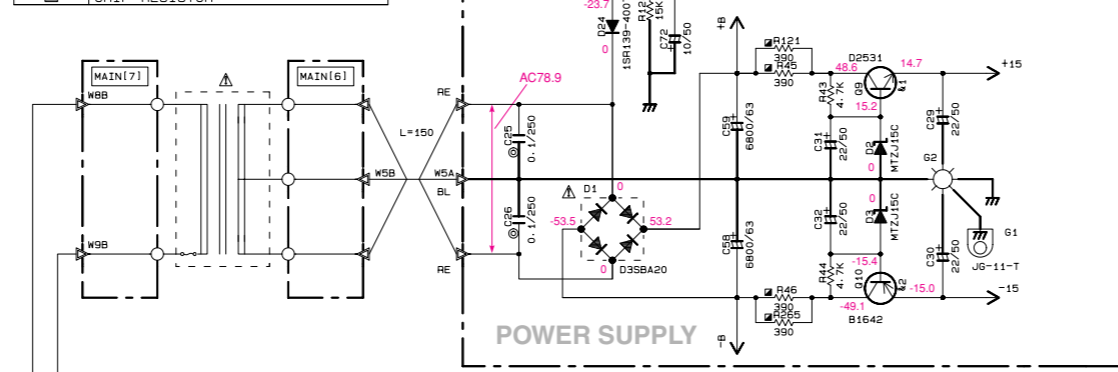
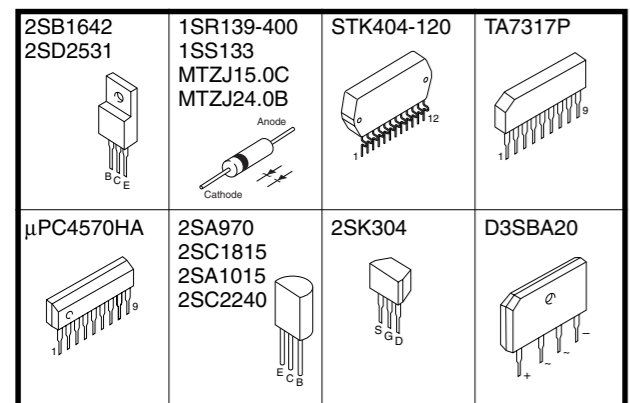
REMARKS	PARTS NAME
NO MARK	CARBON FILM RESISTOR (P=5)
⊠	CARBON FILM RESISTOR (P=10)
⊡	METAL OXIDE FILM RESISTOR
⊢	METAL FILM RESISTOR
⊣	METAL PLATE RESISTOR
⊤	FIRE PROOF CARBON FILM RESISTOR
⊥	CEMENT MOLDED RESISTOR
⊦	SEMI VARIABLE RESISTOR
⊧	CHIP RESISTOR

POWER TRANSFORMER

LOCATION	J. U. C. V	K. B. G	A. L
s1	F1	2A125V	T1AL250V
s2			T1AL250V
s3			
s4			
s5			
s6			
s7			
s8			
s9			

DESTINATION	PART NUMBER
J	X4732
U. C	X4733
V	X4734
K	X4735
A. L	X4736
B. G	X4737

PIN CONNECTION DIAGRAM OF TRANSISTORS, DIODES AND ICs.



* All voltages are measured with a 10MΩ/V DC electronic volt meter.
 * Components having special characteristics are marked Δ and must be replaced with parts having specifications equal to those originally installed.
 * Schematic diagram is subject to change without notice.
 * 電圧は、内部抵抗10MΩの電圧計で測定したものです。
 * Δ印のある部品は、安全性確保部品を示しています。部品の交換が必要な場合、パーツリストに記載されている部品を使用してください。
 * 本回路図は標準回路図です。改良のため予告なく変更することがございます。

PARTS LIST

■ ELECTRICAL PARTS

■ WARNING

● Components having special characteristics are marked \triangle and must be replaced with parts having specifications equal to those originally installed.

● \triangle 印のある部分は、安全確保部品を示しています。部品の交換が必要な場合、パーツリストに記載されている部品を使用してください。

ABBREVIATIONS IN THIS LIST ARE AS FOLLOWS :

C.A.EL.CHP	: CHIP ALUMI. ELECTROLYTIC CAP	L.DTCT	: LIGHT DETECTING MODULE
C.CE	: CERAMIC CAP	L.EMIT	: LIGHT EMITTING MODULE
C.CE.ARRAY	: CERAMIC CAP ARRAY	LED.DSPLY	: LED DISPLAY
C.CE.CHP	: CHIP CERAMIC CAP	LED.INFRD	: LED, INFRARED
C.CE.ML	: MULTILAYER CERAMIC CAP	MODUL.RF	: MODULATOR, RF
C.CE.M.CHP	: CHIP MULTILAYER CERAMIC CAP	PHOT.CPL	: PHOTO COUPLER
C.CE.SAFTY	: RECOGNIZED CERAMIC CAP	PHOT.INTR	: PHOTO INTERRUPTER
C.CE.TUBLR	: CERAMIC TUBULAR CAP	PHOT.RFLCT	: PHOTO REFLECTOR
C.CE.SMI	: SEMI CONDUCTIVE CERAMIC CAP	PIN.TEST	: PIN, TEST POINT
C.EL	: ELECTROLYTIC CAP	PLST.RIVET	: PLASTIC RIVET
C.MICA	: MICA CAP	R.ARRAY	: RESISTOR ARRAY
C.ML.FLM	: MULTILAYER FILM CAP	R.CAR	: CARBON RESISTOR
C.MP	: METALLIZED PAPER CAP	R.CAR.CHP	: CHIP RESISTOR
C.MYLAR	: MYLAR FILM CAP	R.CAR.FP	: FLAME PROOF CARBON RESISTOR
C.MYLAR.ML	: MULTILAYER MYLAR FILM CAP	R.FUS	: FUSABLE RESISTOR
C.PAPER	: PAPER CAPACITOR	R.MTL.CHP	: CHIP METAL FILM RESISTOR
C.PLS	: POLYSTYRENE FILM CAP	R.MTL.FLM	: METAL FILM RESISTOR
C.POL	: POLYESTER FILM CAP	R.MTL.OXD	: METAL OXIDE FILM RESISTOR
C.POLY	: POLYETHYLENE FILM CAP	R.MTL.PLAT	: METAL PLATE RESISTOR
C.PP	: POLYPROPYLENE FILM CAP	RSNR.CE	: CERAMIC RESONATOR
C.TNTL	: TANTALUM CAP	RSNR.CRY	: CRYSTAL RESONATOR
C.TNTL.CHP	: CHIP TANTALUM CAP	R.TW.CEM	: TWIN CEMENT FIXED RESISTOR
C.TRIM	: TRIMMER CAP	R.WW	: WIRE WOUND RESISTOR
CN	: CONNECTOR	SCR.BND.HD	: BIND HEAD B-TITE SCREW
CN.BS.PIN	: CONNECTOR, BASE PIN	SCR.BW.HD	: BW HEAD TAPPING SCREW
CN.CANNON	: CONNECTOR, CANNON	SCR.CUP	: CUP TITE SCREW
CN.DIN	: CONNECTOR, DIN	SCR.TERM	: SCREW TERMINAL
CN.FLAT	: CONNECTOR, FLAT CABLE	SCR.TR	: SCREW, TRANSISTOR
CN.POST	: CONNECTOR, BASE POST	SUPRT.PCB	: SUPPORT, P.C.B.
COIL.MX.AM	: COIL, AM MIX	SURG.PRTCT	: SURGE PROTECTOR
COIL.AT.FM	: COIL, FM ANTENNA	SW.TACT	: TACT SWITCH
COIL.DT.FM	: COIL, FM DETECT	SW.LEAF	: LEAF SWITCH
COIL.MX.FM	: COIL, FM MIX	SW.LEVER	: LEVER SWITCH
COIL.OUTPT	: OUTPUT COIL	SW.MICRO	: MICRO SWITCH
DIOD.ARRAY	: DIODE ARRAY	SW.PUSH	: PUSH SWITCH
DIODE.BRG	: DIODE BRIDGE	SW.RT.ENC	: ROTARY ENCODER
DIODE.CHP	: CHIP DIODE	SW.RT.MTR	: ROTARY SWITCH WITH MOTOR
DIODE.SHOT	: SCHOTTKY BARRIER DIODE	SW.RT	: ROTARY SWITCH
DIODE.VAR	: VARACTOR DIODE	SW.SLIDE	: SLIDE SWITCH
DIOD.Z.CHP	: CHIP ZENER DIODE	TERM.SP	: SPEAKER TERMINAL
DIODE.ZENR	: ZENER DIODE	TERM.WRAP	: WRAPPING TERMINAL
DSCR.CE	: CERAMIC DISCRIMINATOR	THRMST.CHP	: CHIP THERMISTOR
FER.BEAD	: FERRITE BEADS	TR.CHP	: CHIP TRANSISTOR
FER.CORE	: FERRITE CORE	TR.DGT	: DIGITAL TRANSISTOR
FET.CHP	: CHIP FET	TR.DGT.CHP	: CHIP DIGITAL TRANSISTOR
FL.DSPLY	: FLUORESCENT DISPLAY	TRANS	: TRANSFORMER
FLTR.CE	: CERAMIC FILTER	TRANS.PULS	: PULSE TRANSFORMER
FLTR.COMB	: COMB FILTER MODULE	TRANS.PWR	: POWER TRANSFORMER ASS'y
FLTR.LC.RF	: LC FILTER, EMI	TUNER.AM	: TUNER PACK, AM
GND.MTL	: GROUND PLATE	TUNER.FM	: TUNER PACK, FM
GND.TERM	: GROUND TERMINAL	TUNER.PK	: FRONT-END TUNER PACK
HOLDER.FUS	: FUSE HOLDER	VR	: ROTARY POTENTIOMETER
IC.PRTCT	: IC PROTECTOR	VR.MTR	: POTENTIOMETER WITH MOTOR
JUMPER.CN	: JUMPER CONNECTOR	VR.SW	: POTENTIOMETER WITH ROTARY SW
JUMPER.TST	: JUMPER, TEST POINT	VR.SLIDE	: SLIDE POTENTIOMETER
		VR.TRIM	: TRIMMER POTENTIOMETER

SW-P330 P.C.B. MAIN

Ref. No.	PART NO.	Description	Remarks	Markets	部品名	Rank
*	WE286500	P.C.B.	MAIN	JUCV	P C B M A I N	
*	WE286600	P.C.B.	MAIN	KBG	P C B M A I N	
*	WE286700	P.C.B.	MAIN	AL	P C B M A I N	
CB2	VG879900	CN.BS.PIN	2P		ベースピン	01
CB3	VB390100	CN.BS.PIN	5P		ベースピン	01
CB7	WC050700	CLIP.FUSE	EYF52BCY		ヒューズクリップ	01
CB8	WC050700	CLIP.FUSE	EYF52BCY		ヒューズクリップ	01
C1	UA655100	C.MYLAR	0.1uF 50V		マイラーコン	01
C2	UA655820	C.MYLAR	0.82uF 50V		マイラーコン	01
C3	FG644100	C.CE	0.01uF 50V		セラコン	01
C4	UR867100	C.EL	10uF 50V		ケミコン	01
C5	UA654220	C.MYLAR	0.022uF 50V		マイラーコン	01
C6	UR867100	C.EL	10uF 50V		ケミコン	01
C7	UA655330	C.MYLAR	0.33uF 50V		マイラーコン	01
C8	UA655150	C.MYLAR	0.15uF 50V		マイラーコン	01
C9	UA654100	C.MYLAR	0.01uF 50V		マイラーコン	01
C10	UR877100	C.EL	10uF 63V		ケミコン	01
C11	UR877100	C.EL	10uF 63V		ケミコン	01
C12	UR867470	C.EL	47uF 50V		ケミコン	01
C13	UA655100	C.MYLAR	0.1uF 50V		マイラーコン	01
C14	UR868100	C.EL	100uF 50V		ケミコン	01
C15	UR838100	C.EL	100uF 16V		ケミコン	01
C16	UR867100	C.EL	10uF 50V		ケミコン	01
C17	UA655180	C.MYLAR	0.18uF 50V		マイラーコン	01
C18	UA654680	C.MYLAR	0.068uF 50V		マイラーコン	02
C19	FG652100	C.CE	100pF 50V		セラコン	01
C20	UR837470	C.EL	47uF 16V		ケミコン	01
C21	UR837470	C.EL	47uF 16V		ケミコン	01
C22	UR867220	C.EL	22uF 50V		ケミコン	01
C23	UR865470	C.EL	0.47uF 50V		ケミコン	01
C24	UR828220	C.EL	220uF 10V		ケミコン	01
C25	WB540200	C.POL.MTL	0.1uF 250V		メタライズドポリコン	
C26	WB540200	C.POL.MTL	0.1uF 250V		メタライズドポリコン	
C27	UA655180	C.MYLAR	0.18uF 50V		マイラーコン	01
C28	UR867100	C.EL	10uF 50V		ケミコン	01
C29	UR867220	C.EL	22uF 50V		ケミコン	01
C30	UR867220	C.EL	22uF 50V		ケミコン	01
C31	UR867220	C.EL	22uF 50V		ケミコン	01
C32	UR867220	C.EL	22uF 50V		ケミコン	01
C33	UA655100	C.MYLAR	0.1uF 50V		マイラーコン	01
C37	UA655470	C.MYLAR	0.47uF 50V		マイラーコン	01
C38	UA653220	C.MYLAR	2200pF 50V		マイラーコン	01
C41	UR867100	C.EL	10uF 50V		ケミコン	01
△ C55	V7682500	C.CE.SAFETY	1500pF 250V		規格認定コン KH	01
C57	UR868100	C.EL	100uF 50V		ケミコン	01
C58	V7093400	C.EL	6800uF 63V		ケミコン	
C59	V7093400	C.EL	6800uF 63V		ケミコン	
C72	UR867100	C.EL	10uF 50V		ケミコン	01
△ D1	VNO11300	DIODE.BRG	D3SBA20 4A 200V		ダイオード	03
D2	VG440900	DIODE.ZENR	MTZJ15C 15V		ツェナーダイオード	01
D3	VG440900	DIODE.ZENR	MTZJ15C 15V		ツェナーダイオード	01
D4	VD631600	DIODE	1SS133,176		ダイオード	01
D5	VD631600	DIODE	1SS133,176		ダイオード	01

* New Parts (新規部品)

Note) Those parts marked with "#" are not included in the P.C.B. ass'y. (マーク#の部品は、基板に含まれません)

SW-P330 P.C.B. MAIN

Ref. No.	PART NO.	Description	Remarks	Markets	部品名	Rank
D6	VD631600	DIODE	1SS133, 176		ダイオード	01
D7	VG442500	DIODE.ZENR	MTZJ24B 24V		ツェナーダイオード	01
D8	WB884500	LED	SLP-236B-81		LED	
D19	VD631600	DIODE	1SS133, 176		ダイオード	01
D20	VD631600	DIODE	1SS133, 176		ダイオード	01
D21	VD631600	DIODE	1SS133, 176		ダイオード	01
D22	VD631600	DIODE	1SS133, 176		ダイオード	01
D23	VD631600	DIODE	1SS133, 176		ダイオード	01
D24	VU264100	DIODE	1SR139-400		ダイオード	01
F1	VS822500	FUSE	2A 125V	JUCV	ヒューズ	02
F1	KB001770	FUSE	T1A 250V	KABGL	ヒューズ	02
G1	V7235100	CN.GND	JG-11-T		接地端子	
G2	V5995800	PLATE.GND			アースプレート	
IC1	X3830A00	IC	STK404-120 120W		アンプ I C S I P	08
IC2	XB247A00	IC	uPC4570HA		I C	02
IC3	X3369A00	IC	TA7317P		I C	04
IC4	XB247A00	IC	uPC4570HA		I C	02
IC5	XB247A00	IC	uPC4570HA		I C	02
PJ1	VL552600	JACK.PIN	1P		ピンジャック	01
PN1	WB543700	PIN	WB54370 L=70 #18		スタイルピン	
Q1	iC224030	TR	2SC2240 GR,BL		トランジスタ	01
Q2	iA097030	TR	2SA970 GR,BL		トランジスタ	01
Q5	iC1815i0	TR	2SC1815 Y		トランジスタ 2 S C	01
Q6	iA1015i0	TR	2SA1015 Y		トランジスタ 2 S A	01
Q7	iC1815i0	TR	2SC1815 Y		トランジスタ 2 S C	01
Q8	iA1015i0	TR	2SA1015 Y		トランジスタ 2 S A	01
Q9	V6896700	TR	2SD2531		トランジスタ	03
Q10	V6896500	TR	2SB1642		トランジスタ	04
Q16	V3028000	FET	2SK304 E		F E T	01
R1	HV756390	R.CAR.FP	3.9KΩ 1/4W		不燃化カーボン抵抗	01
R5	HV756120	R.CAR.FP	1.2KΩ 1/4W		不燃化カーボン抵抗	01
R27	HB027100	R.MTL.FLM	10KΩ 1/4W		金属被膜抵抗	01
R28	V6022600	R.WW	0.1Ω 3W		セメント抵抗	
R30	HV756100	R.CAR.FP	1KΩ 1/4W		不燃化カーボン抵抗	01
R31	HB027200	R.MTL.FLM	20KΩ 1/4W		金属被膜抵抗	
R32	HV755100	R.CAR.FP	100Ω 1/4W		不燃化カーボン抵抗	01
R35	HB027100	R.MTL.FLM	10KΩ 1/4W		金属被膜抵抗	01
R36	HB027100	R.MTL.FLM	10KΩ 1/4W		金属被膜抵抗	01
R39	VC761400	R.MTL.OXD	1KΩ 2W		酸化金属被膜抵抗	01
R45	HV755390	R.CAR.FP	390Ω 1/4W		不燃化カーボン抵抗	01
R46	HV755390	R.CAR.FP	390Ω 1/4W		不燃化カーボン抵抗	01
R47	VZ092500	R.MTL.OXD	0.22Ω 3W		酸化金属被膜抵抗	01
R48	HV754100	R.CAR.FP	10Ω 1/4W		不燃化カーボン抵抗	01
R66	HB026270	R.MTL.FLM	2.7KΩ 1/4W		金属被膜抵抗	01
R67	HB028100	R.MTL.FLM	100KΩ 1/4W		金属被膜抵抗	
R95	HV755100	R.CAR.FP	100Ω 1/4W		不燃化カーボン抵抗	01
R96	VZ092500	R.MTL.OXD	0.22Ω 3W		酸化金属被膜抵抗	01
R121	HV755390	R.CAR.FP	390Ω 1/4W		不燃化カーボン抵抗	01
R123	HV756100	R.CAR.FP	1KΩ 1/4W		不燃化カーボン抵抗	01
R126	HV753100	R.CAR.FP	1Ω 1/4W		不燃化カーボン抵抗	01
R265	HV755390	R.CAR.FP	390Ω 1/4W		不燃化カーボン抵抗	01
RY1	VU161600	RELAY	DC OSA-SS-224DM3		リレー 24V	05
ST1	V4040500	SCR.TERM	M3		スクリュー/ターミナル	01

* New Parts (新規部品)

Note) Those parts marked with "#" are not included in the P.C.B. ass'y. (マーク#の部品は、基板に含まれません)

SW-P330 P.C.B. MAIN

Ref. No.	PART NO.	Description	Remarks	Markets	部品名	Rank
ST2	V4040500	SCR.TERM	M3		スクリュー/ターミナル	01
ST3	V4040500	SCR.TERM	M3		スクリュー/ターミナル	01
SW5	V8377400	SW.POWER	SY16-52-4		パワースイッチ	
TE1	VT658100	TERM.WRAP	352-TX119		ラッピング端子	01
TE2	VT658100	TERM.WRAP	352-TX119		ラッピング端子	01
VR1	WC595500	VR	A 5KΩ		ロータリーVR	04
	WB419000	HOLDER.LED	LDT-70G		LEDホルダー	

* New Parts (新規部品)

Note) Those parts marked with "#" are not included in the P.C.B. ass'y. (マーク#の部品は、基板に含まれません)

■ SW-P330 MECHANICAL PARTS

Ref. No.	PART NO.	Description	Remarks	Markets	部品名	Rank
* 1	WE271800	CABINET ASS'Y	BL		キャビネットASSY	
1	WC515000	CABINET ASS'Y	SI		キャビネットASSY	
2	X4939A00	DRIVER, WOOFER	JA2170		スピーカーユニット	12
* 3-1	WE286500	PCB ASS'Y		JUCV	PCB MAIN	
* 3-1	WE286600	PCB ASS'Y		KBG	PCB MAIN	
* 3-1	WE286700	PCB ASS'Y		AL	PCB MAIN	
△ 3-2	X4732A00	POWER TRANSFORMER		J	電源トランス	10
△ 3-2	X4733A00	POWER TRANSFORMER		UC	電源トランス	
△ 3-2	X4735A00	POWER TRANSFORMER		K	電源トランス	
△ 3-2	X4736A00	POWER TRANSFORMER		AL	電源トランス	
△ 3-2	X4737A00	POWER TRANSFORMER		BG	電源トランス	
△ 3-2	X4734A00	POWER TRANSFORMER		V	電源トランス	
△ 3-3	WC906000	POWER CABLE	1.8m	J	電源コード	05
△ 3-3	V2689600	POWER CABLE	2m	UC	電源コード	05
△ 3-3	V8012900	POWER CABLE	2m	K	電源コード	
△ 3-3	WC883100	POWER CABLE	2m	A	電源コード	
△ 3-3	V6977100	POWER CABLE	2m	B	電源コード	
△ 3-3	V6893100	POWER CABLE	2m	GL	電源コード	
△ 3-3	WD042000	POWER CABLE	2m	V	電源コード	
3-4	CB072750	CORD STOPPER	SR-4N-4		コードストッパー	01
3-5	CB069250	BINDING TIE	BK-1		束線止め	01
* 3-11	WE253100	REAR PANEL		J	リヤパネル	
* 3-11	WE253200	REAR PANEL		UC	リヤパネル	
* 3-11	WE253300	REAR PANEL		KV	リヤパネル	
* 3-11	WE253400	REAR PANEL		A	リヤパネル	
* 3-11	WE253500	REAR PANEL		BG	リヤパネル	
* 3-11	WE253600	REAR PANEL		L	リヤパネル	
3-16	WB930900	PACKING/VOL			パッキン/VOL	
3-18	WB817100	COVER/VOL			カバー/VOL	
3-19	WB931500	PACKING			パッキン	
3-20	WB931600	PACKING			パッキン	
3-21	WC736000	BUSH			ブッシュ	
3-22	WB854600	REAR COVER			リアカバー	05
* 3-23	WE252900	COVER/P.SW			カバー/P.SW	
* 3-24	WE279500	PACKING/P.SW			パッキン/P.SW	
3-25	WA217100	POWER KNOB			パワーノブ	01
3-26	WD562900	VOLUME KNOB			ボリュームノブ	
3-31	V6655200	BIND HEAD S-TIGHT SCREW	4x8	MFZN2BL	＋バインドSタイト	
3-32	EP600190	BIND HEAD B-TIGHT SCREW	3x8	MFZN2BL	バインドBタイトネジ	01
3-33	WB090900	SCREW	SP 3x18	MFZN2BL	スクリュー・Tr	
3-34	EP630660	BIND HEAD P-TIGHT SCREW	3x10	MFZN2BL	バインドPタイトネジ	01
3-35	VT669300	PW HEAD B-TIGHT SCREW	3x8-8	MFC2	PWヘッドBタイトネジ	01
3-36	VC082800	BIND HEAD BONDING SCREW	3x6	MFC2BL	ボンディング小ネジ	01
3-37	VA847600	BIND HEAD P-TIGHT SCREW	4x12	MFZN2BL	バインドPタイトネジ	01
* 6	WE272900	FRONT PANEL		BL	フロントパネル	
6	WB816800	FRONT PANEL		SI	フロントパネル	07
7	V6307900	EMBLEM			エンブレム	02
* 8	WE273300	TOP PANEL		BL	トップパネル	
8	WB816900	TOP PANEL		SI	トップパネル	08
9	WB817000	BASE			ベース	
11	WB910200	PACKING C			パッキン C	
12	WC330900	PACKING F			パッキン F	
20	EP040070	BIND HEAD TAPPING SCREW	4x20	MFZN2BL	バインドTPネジ	01

* New Parts (新規部品)

Ref. No.	PART NO.	Description	Remarks	Markets	部品名	Rank
21	VF573000	BIND HEAD TAPPING SCREW	4x25	MFZN2BL	バインドTPネジ	01
22	VM839600	BIND HEAD P-TIGHT SCREW	4x16	MFZN2Y	＋バインドPタイト	01
* 101	WE271200	SPEAKER FINAL ASS'Y	NX-S200	BL	スピーカー総組立	
101	WB906400	SPEAKER FINAL ASS'Y	NX-S200	SI	スピーカー総組立	14
101	WC009500	SPEAKER FINAL ASS'Y	NX-S200	SI	スピーカー総組立	
101	WB906500	SPEAKER FINAL ASS'Y	NX-S200	SI	スピーカー総組立	
* 102	WE271300	SPEAKER FINAL ASS'Y	NX-C200	BL	スピーカー総組立	
102	WB906600	SPEAKER FINAL ASS'Y	NX-C200	SI	スピーカー総組立	15
102	WB906700	SPEAKER FINAL ASS'Y	NX-C200	SI	スピーカー総組立	
		ACCESSORIES			付属品	
201	WA238100	SPEAKER CABLE	MAIN L 4m 1pc		スピーカーコード	
201	WA238200	SPEAKER CABLE	MAIN R 4m 1pc		スピーカーコード	
201	WA238300	SPEAKER CABLE	CENTER 4m 1pc		スピーカーコード	
202	WA238400	SPEAKER CABLE	EFFECT L 15m 1pc		スピーカーコード	
202	WA238500	SPEAKER CABLE	EFFECT R 15m 1pc		スピーカーコード	
202	WA238600	SPEAKER CABLE	EFFECT C 15m	NS-P336 only	スピーカーコード	
203	WB918400	SUBWOOFER CABLE	1P 5m 1pc		サブウーハーピンケーブル	06
204-1	Vi923000	FASTENER	SJ-3541	for CENTER SP	ファスナー	
204-2	Vi923100	FASTENER	SJ-3542	for CENTER SP	ファスナー	
205	WC352300	NON SKID PAD	M25 t3 4pcs/set	for SUBWOOFER	滑止パッド	03
206	WB931700	NON SKID PAD	M12 t2 4pcs/set	for SATELLITE	滑止パッド	01
207	WB873100	MOUNTING BRACKET	1pc		取付金具	03
208	V5046000	BIND HEAD SCREW	4x10	MFZN2BL	＋バインド小ネジ	01

* New Parts (新規部品)

MEMO

NS-P330/NS-P336



YAMAHA

